



PARAMOUNT
EXCELLENCE ENGINEERING
MEP Design Consultants

**Office Address : GAT NO -102A, Jyotiba nagar, behind hotel jhunka,
Talawde – 411062**

Contact No : 9881908077
Email Id : amit@paramountengg.in
www.paramountengg.in

ABOUT US

- Paramount Excellence Engineering is a group comprising of Engineers rendering design and consultancy services in **MEP for Industrial, Commercial & Residential projects on PAN India basis.**
- Our company was **established in 2012** and has been working on different projects across industries. We have a director board with rich experience and huge exposure to infrastructure development since last 3 decades.
- We are located in Pune having good experienced **staff of 10+**. We are a professional organization and believe in complete transparency and practical solutions to the client.

MANAGEMENT TEAM

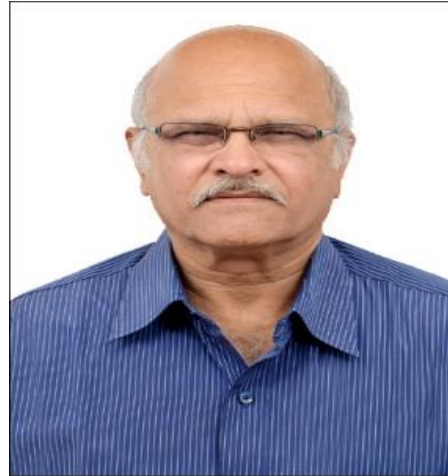
AMIT CHAVAN



**DIRECTOR
(BTECH PRODUCTION)
COEP**

15 yrs of experience in the field and has worked with renowned companies like Kirloskar group, TATA Motors, Zensar technologies in the past

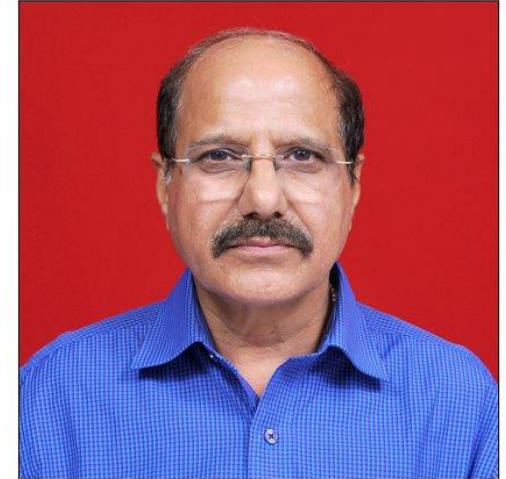
**MADHAV
KARANDIKAR**



**ASSOCIATE DIRECTOR
BE MECH | MTECH
(IIT PAWAI) DBM**

A core engineering background having done BE Mechanical and MTECH from IIT Pawai way back in 1979. He has worked with organizations like Tata consultancy engineering, Dr Beck & company, Black & decker , Kirloskar consultants Ltd & so on

VIJAY KAPOTE



**ASSOCIATE DIRECTOR
(BE MECH)**

Mr Vijay Kapote has been working in the HVAC industry for more than 3 decades. He has worked with renowned organization's like Kirloskar electrodyne, Kirloskar consultants Ltd, Fourth dimesion architectural Pvt Ltd.

SERVICES OFFERED

M

MECHANICAL DESIGN

- HVAC system
- Fire fighting system
- Utility system

E

ELECTRICAL DESIGN

- HT Design
- LT Design
- LV Design
- CCTV system
- Access control system
- PA system

P

PLUMBING DESIGN

- Plumbing system
- Storm water system
- Rain water harvesting system
- STP system
- WTP system

SECTORS CATERED

INDUSTRIAL PROJECTS



- Automobile manufacturing
- Pharma manufacturing
- Tier 1 Manufacturing
- Warehouses

COMMERCIAL PROJECTS



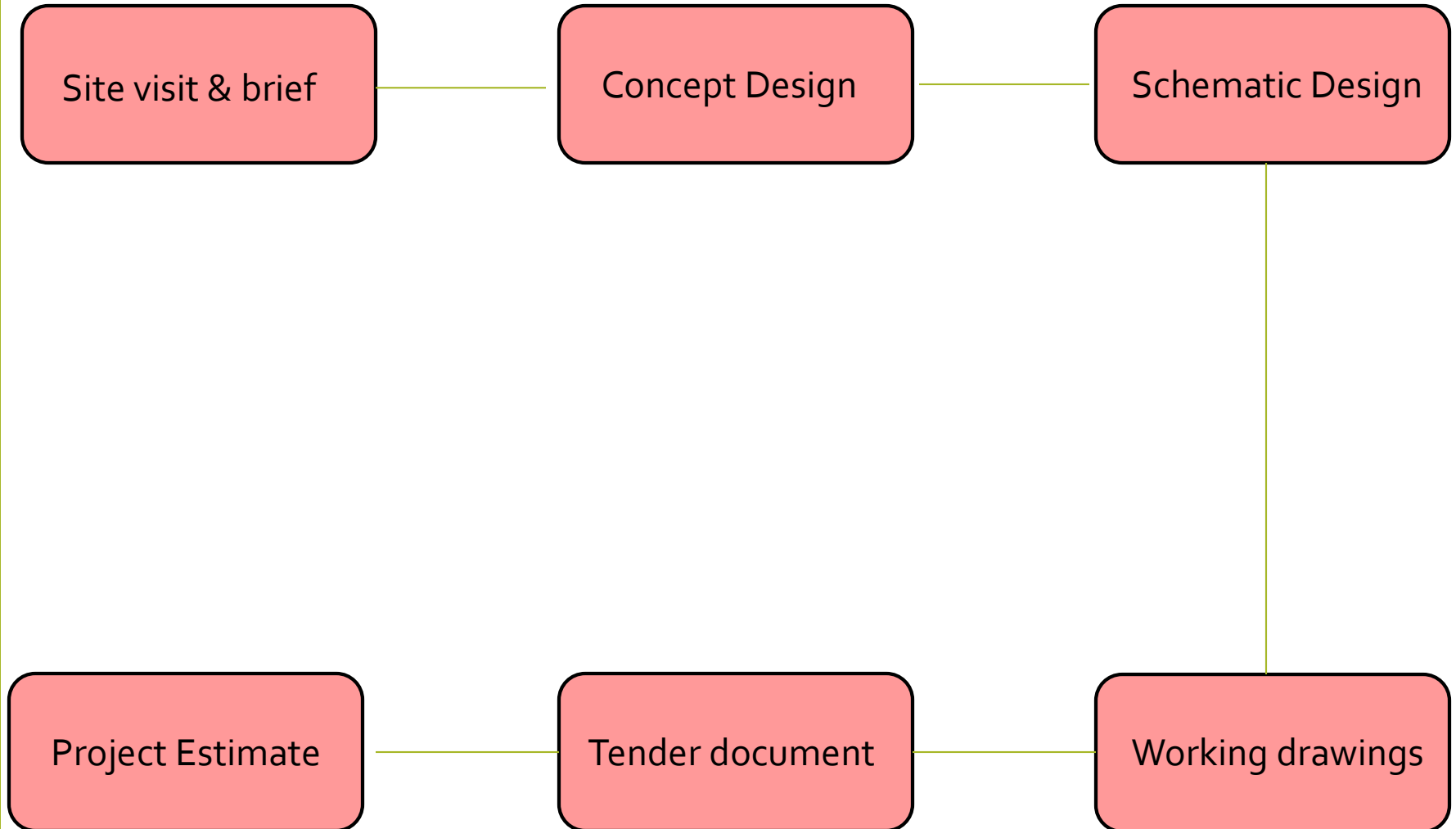
- Hospitals
- Office building
- Malls
- Administrative building

RESIDENTIAL PROJECTS



- High rise building
- Townships

DESIGN METHODOLOGY



DESIGN DELIVERABLES

- DESIGN BASIS REPORT
- TECHNICAL SPECIFICATIONS
- DRAWINGS
- BOQ
- MAKE LIST
- ESTIMATE
- TENDER DOCUMENT

ELECTRICAL SYSTEM DESIGN

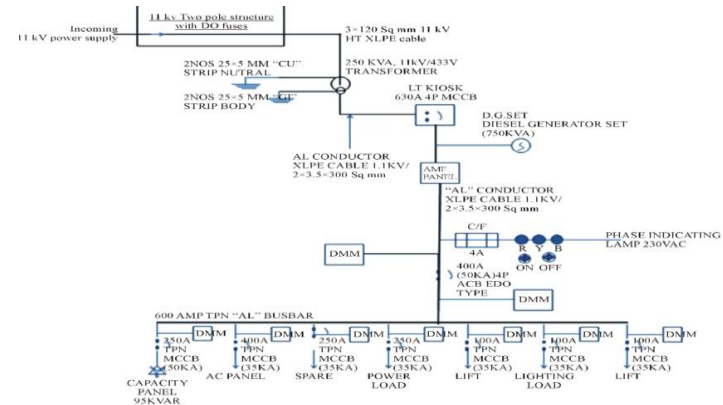
HT DESIGN



LT DESIGN



LIGHTING DESIGN



SINGLE LINE DIAGRAM

FIRE-FIGHTING SYSTEM DESIGN

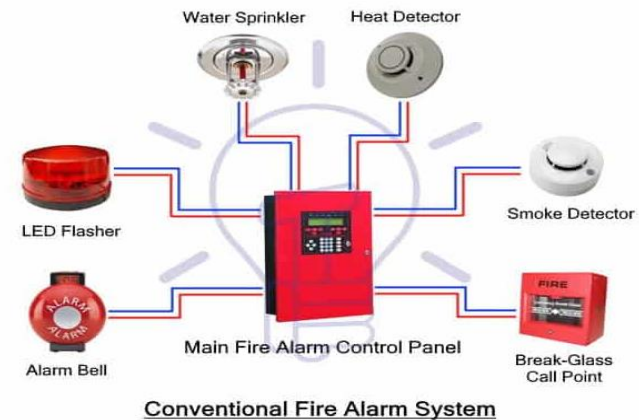
PUMP ROOM DESIGN



HYDRANT SYSTEM



SPRINKLER SYSTEM



FIRE ALARM SYSTEM

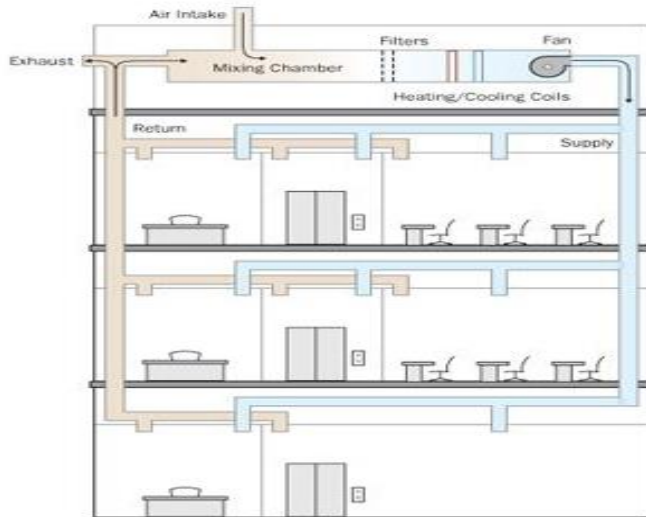
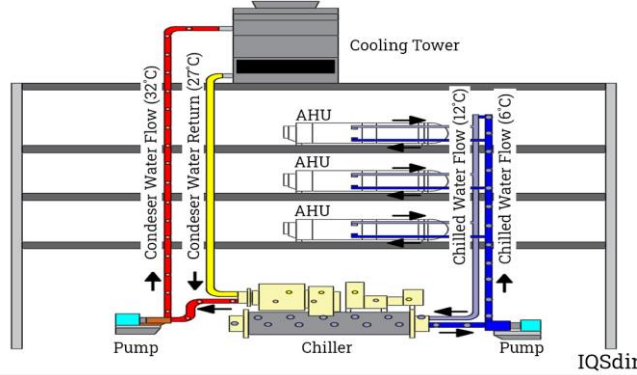
HVAC SYSTEM DESIGN

HEATING-VENTILATION-AIR CONDITIONING

CHILLERS SYSTEM

VRF SYSTEM

Cooling Tower

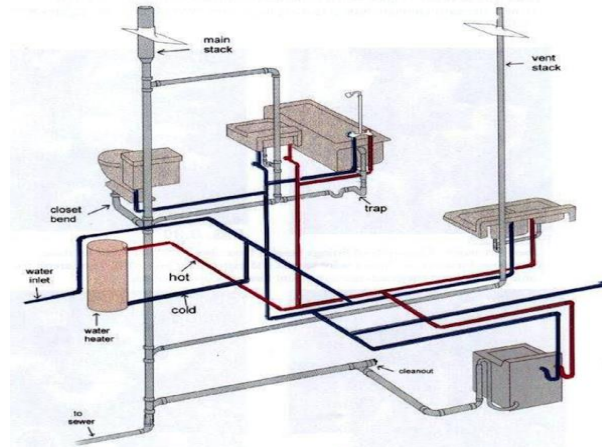


VENTILATION SYSTEM

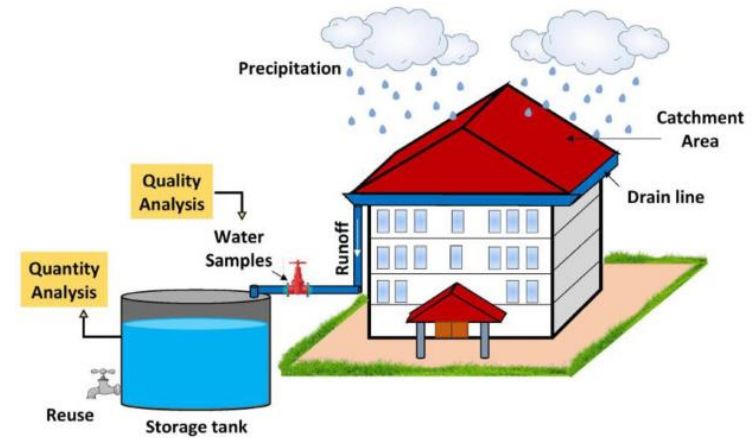
PROCESS CHILLER SYSTEM

PLUMBING SYSTEM DESIGN

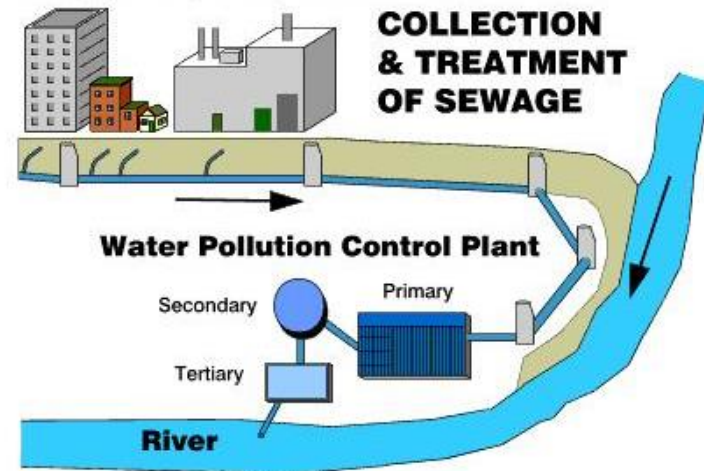
INTERNAL PLUMBING



RAIN WATER HARVESTING



Offices, Apartments, Houses, Factories



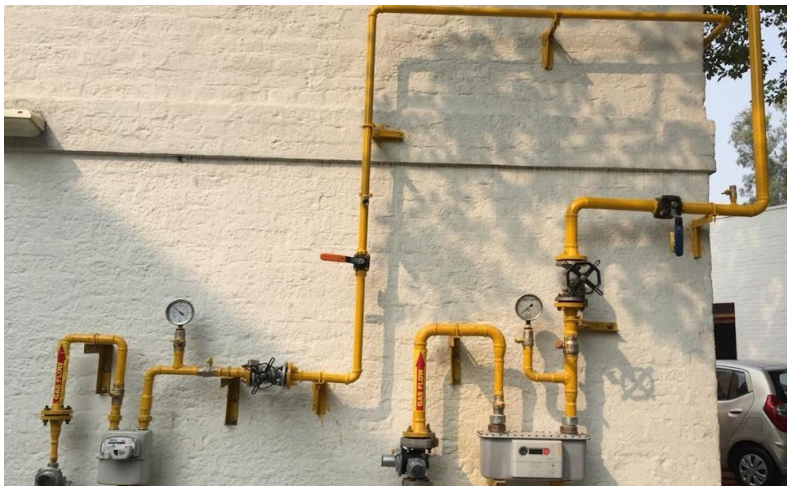
SEWAGE TREATMENT SYSTEM DESIGN

UTILITIES SYSTEM DESIGN

COMPRESSED AIR SYSTEM



PROCESS PIPING



GAS PIPING DESIGN



MEDICAL GAS PIPING SYSTEM DESIGN

PROJECTS COMPLETED

INDUSTRIAL PROJECTS

- Kirloskar consultants Ltd
- Praj Industries
- MOJJ Engineering
- Thermax C&H division
- Thermax enviro division
- Vautid India Pvt Ltd
- Serum Institute
- TATA Motors
- JAY INSTRUMENTS
- Sidel Chakan
- M11 refinery Plant
- Maxion Wheels Pvt Ltd
- Endurance Magneti Marelli
- Indospace Chakan
- JSW Ltd
- Chitale Dairy
- Kirloskar Chillers Pvt Ltd
- Brose India Automotive Ltd
- Shree Cement
- Harnex Harnesses ltd

PROJECTS COMPLETED

COMMERCIAL PROJECTS

- Maruti Suzuki Ltd Jaipur
- Maruti True value Bavdhan
- Maruti True value Kolhapur
- Maruti True value Latur
- Maruti Nexa Kolhapur
- Balaji developers Balewadi
- Trinity College
- KJ Tower Warje
- Bootstart coworking
- Backpacker panda hostels
- Panchashil tower WTC
- Orange hospital
- Sahyadri Hospital
- MIT College
- FTI Girls Hostel
- Dhruv Global School
- Hansa Global
- Bhalerao Hospital
- Sacha Engineering
- HEUU Industrial spaces

PROJECTS COMPLETED

RESIDENTIAL PROJECTS

- Kumar Properties
- Charitable Hospital Satara
- Vilas Javdekar Group
- Pashankar Auto showroom
baner
- Teerth spaces balewadi
- KJ Realty
- Sabio eagle city Talegaon
- Parmar Realty Talegaon
- Mantri Alpine
- Yashada Realty
- Amar Builder
- Bhandari Associates
- Gold County Charoli

MAJOR CLIENTS



MAJOR CLIENTS



CASE STUDY : SYMANTEC BANER



Clients Requirement

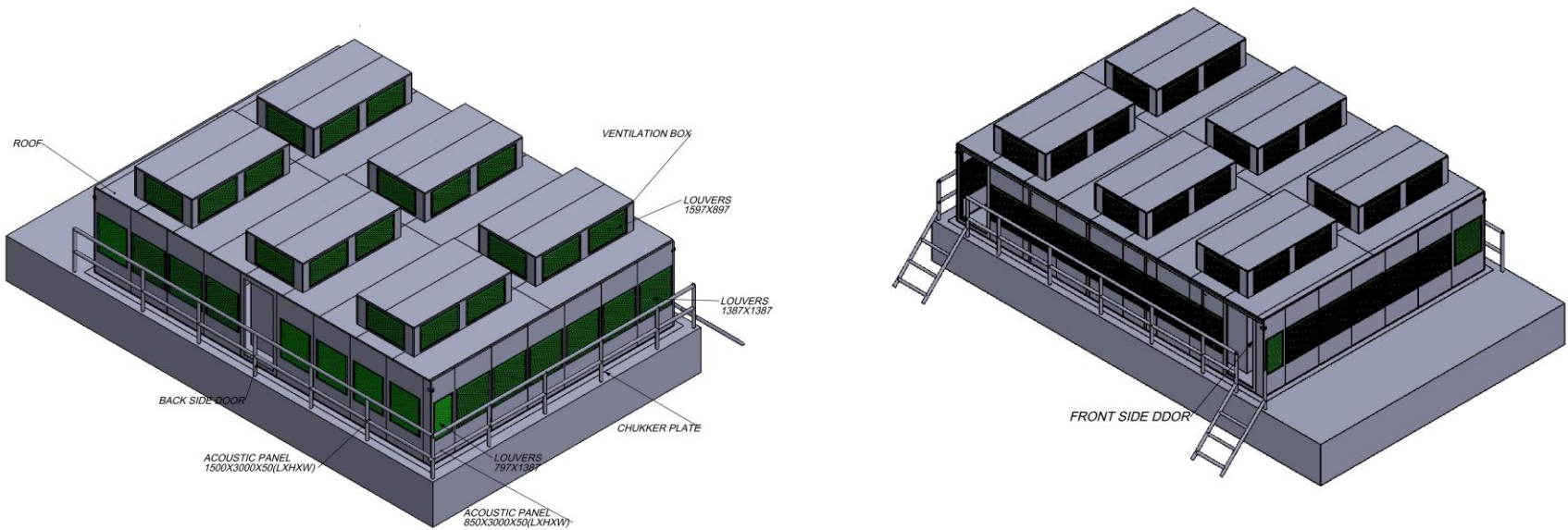
1. Reduction in noise from 95DB to atleast 75 DB
2. There should be ventilation for all 3 chillers
3. These are 330TR X 3nos air cooled chillers

COMPLAINT FROM NEARBY RESIDENTS

1. Extreme sound from these machines during night time so there was disturbance to them
2. Local police and corporation has issued notice to client to solve this issue or else remove these machines from terrace

CASE STUDY : SYMANTEC BANER

SOLUTION PROVIDED TO THE CLIENT



SOLUTION & RESULT

1. Acoustic enclosure designed for the chillers along with ventilation louvers
2. Sound testing and vibration test done everyday for 1 month from different locations
3. We could achieve the sound DB level upto 60DB which was 95DB earlier
4. The chillers were functioning properly so the ventilation issue was also solved
5. The air in and out flow was good because of the correct louvers design
6. Client was satisfied with the result and appreciated us for the efforts taken

Hospital fire in Bhandara take the lives of 10 babies



AS PER REPORTS : "Prima facie, the fire seems to have originated from Air Conditioner.

Either due to load fluctuation or over loading the MCB did not work and AC caught fire

Oxygen leak at Nashik hospital leave 24 dead



AS PER REPORTS : “The supply tank that was set up in this hospital started leaking due to cork damage after which the pressure decreased and those on invasive ventilator did not receive adequate oxygen on time.

Pressure cutoff valves should have been installed. There should have been 2 valves in the same line. Also there should have been stand by oxygen tank

Hospital fire accident in Virar takes 15 lives



AS PER REPORTS : The investigators also found that the Vijay Vallabh hospital did not adhere to the guidelines laid down by the Maharashtra Fire Prevention and Life Safety Measures Act.

Automatic fire fighting systems should have been installed in the hospital

Hospital accident fire in Ahmednagar left 11 dead



AS PER REPORTS : Prima facie reports suggested that an electrical short-circuit might have started the fire.

Wrong electrical load calculations done. No automatic fire fighting system installed or proposed

ASKS & GIVES

ASKS

- Architects
- Structural consultants
- Industrial connects
- Warehousing companies connects
- Hospital group connects

GIVES

- All my existing and past clients
- Architects in my list

THANK YOU!